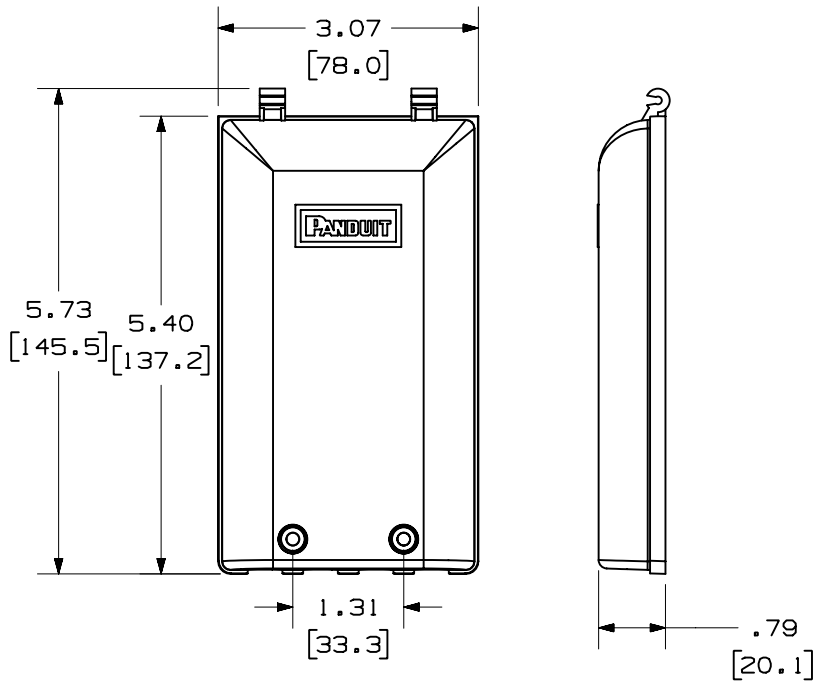


THIS COPY IS PROVIDED ON A RESTRICTED BASIS AND IS NOT TO BE USED IN ANY WAY DETRIMENTAL TO THE INTERESTS OF PANDUIT CORP.

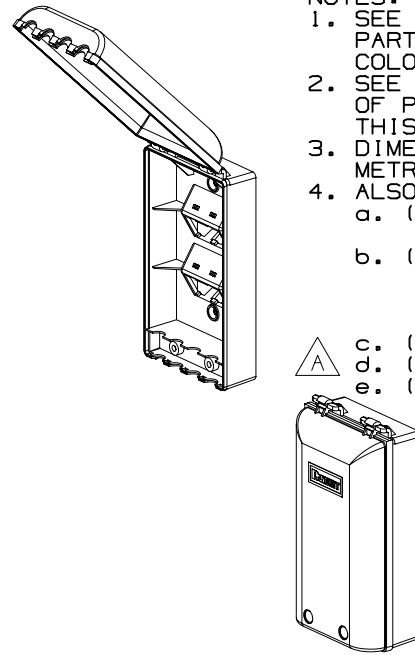


USE A 5/64" HEX KEY TOOL WITH THE TAMPER RESISTANT SCREW.

PANDUIT P/N	WEIGHT
CFPTR4**	2.59 LB/10 PCS (1174.1 g/10 PCS)

NOTES:

- SEE CURRENT CATALOG FOR ADDITIONAL PART NUMBER SUFFIXES TO INDICATE COLOR AND OR PACKAGE QUANTITY.
- SEE CATALOG FOR A COMPLETE LIST OF PARTS APPLICABLE FOR USE WITH THIS PART.
- DIMENSIONS IN PARENTHESES ARE IN METRIC.
- ALSO INCLUDED WITH BOX:
 - (2) MOUNTING SCREW #6-32 X 1" (SECURES FACEPLATE TO WALL)
 - (2) TAMPER RESISTANT SCREW HEX BUTTON HEAD #6-32 X 1.25" (SECURES COVER TO BASE)
 - (1) BASE
 - (1) COVER
 - (2) COVER SCREW #6-32 X 1.25" COMBINATION PAN HEAD (SECURES COVER TO BASE)



MODEL FILENAME	M00897AA_WATERRESBOX_09.PRT	SIZE	A
DRAWING FILENAME	M00897BK_DC_00B.PRT		

MINI-COM™ 4 POSITION TAMPER RESISTANT FACEPLATE CUSTOMER DRAWING



I.I. NUMBER	N/A
PRODUCT SPEC	N/A
WORK INSTRUCTION	N/A
SCALE	FULL
PART NO.	CFPTR4**
DRAWING NO.	00897-15
	SHEET 1 OF 2

ALL DIMENSIONS ARE GIVEN IN INCHES, UNLESS OTHERWISE SPECIFIED.
 DIMENSIONAL TOLERANCES ARE:
 (.X) ±.03 (.XXX) ±.005
 (.XX) ±.01 ANGLES ± 1°

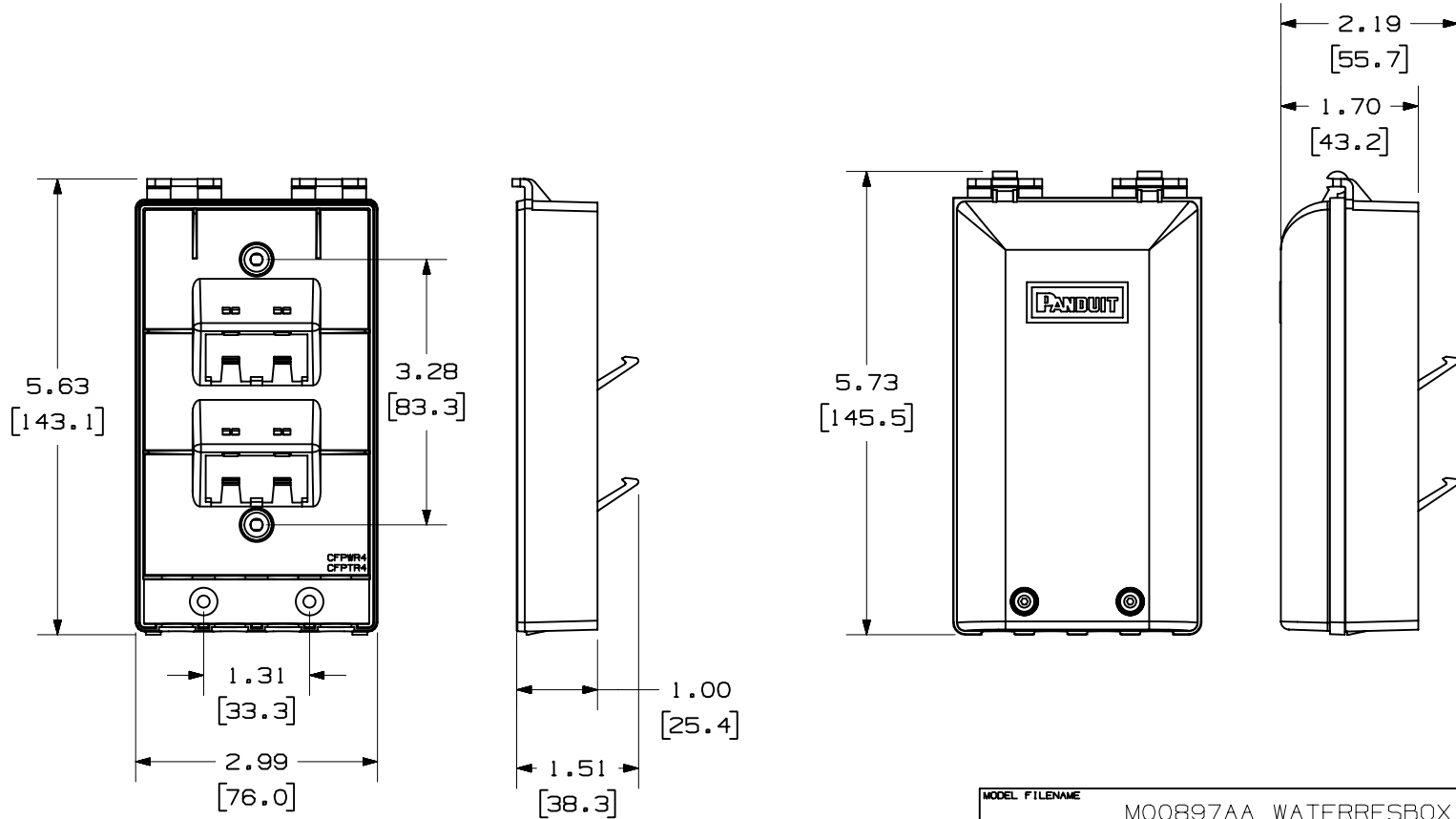
THIRD ANGLE PROJECTION

REVIEW DRAWING NUMBERS

MATERIAL: PC


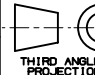
REV	DATE	BY	CHK	DESCRIPTION	ECN	R	CUST	SUP	OTH
1	2-13-04	JsP		A. ADDED TWO COMBO HEAD SCREWS TO KIT.	00897-15				
R	12-3-01	JsP	MJD	RELEASED TO PRODUCTION	00897-15				

THIS COPY IS PROVIDED ON A RESTRICTED BASIS AND IS NOT TO BE USED IN ANY WAY DETRIMENTAL TO THE INTERESTS OF PANDUIT CORP.



MODEL FILENAME	M00897AA_WATERRESBOX_00.PRT	SIZE	A
DRAWING FILENAME	M00897BK_DC_00B.PRT		

MINI-COM™ 4 POSITION TAMPER RESISTANT
FACEPLATE CUSTOMER DRAWING

 PANDUIT ™ CORP. TINLEY PARK, ILL 60477	I.I. NUMBER	N/A
	PRODUCT SPEC	N/A
 THIRDO ANGLE PROJECTION	WORK INSTRUCTION	N/A
	SCALE	NONE
DRAWN BY	JsP	PART NO.
DATE	12-3-01	CFPTR4**
CHK'D	MJD	DRAWING NO.
	MATERIAL: PC	00897-15
		SHEET 2 OF 2

REV	DATE	BY	CHK	DESCRIPTION	ECN	R	CUST	SUP	OTH
I	2-13-04	JsP		SEE SHEET 1 OF 2 FOR REVISIONS.	00897-15				
R	12-3-01	JsP	MJD	SEE SHEET 1 OF 2.	00897-15				